

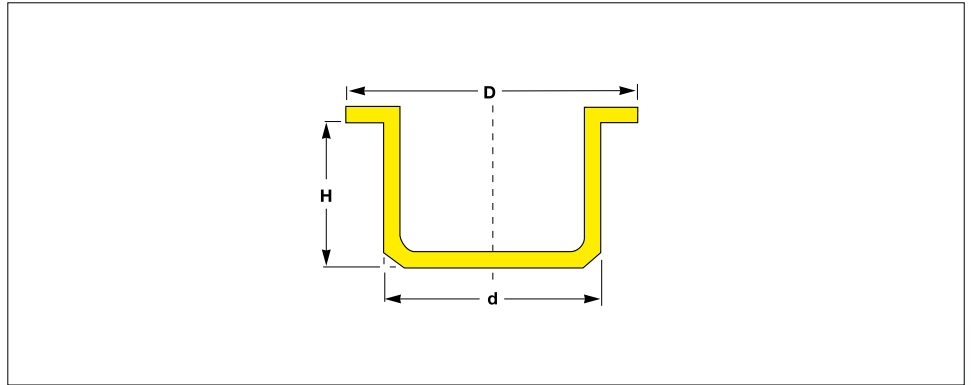
Parallel Protection Plugs

Low-cost. Popular general-purpose plug

Over 150 sizes to suit a wide range of applications

Available for all sizes of bores, tubes, pipes, flanges and valves

EX STOCK
400m
Parts
DELIVERY SERVICE



All dimensions in mm

Dimensions						BSP	DIN 2402 Flange Bore	Reference No.
d	D	H	Metric Thread Size					
3.0	6.5	4.5						EP 270 / 3.0
3.5	7.0	4.6	M 4					EP 270 / 3.5
4.0	7.5	5.0						EP 270 / 4.0
4.5	8.0	5.0	M 5					EP 270 / 4.5
5.0	9.0	5.8	M 6					EP 270 / 5.0
5.5	9.0	6.0						EP 270 / 5.5
6.0	9.5	6.0	M 7					EP 270 / 6.0
6.5	9.6	6.8						EP 270 / 6.5
7.0	10.0	6.0	M 8					EP 270 / 7.0
7.5	10.2	6.2			M 8 × 1			EP 270 / 7.5
8.0	11.0	6.6						EP 270 / 8.0
8.5	11.5	7.2	M 10					EP 270 / 8.5
9.0	11.5	7.5			M 10 × 1	R.1/8"		EP 270 / 9.0
9.5	12.2	7.3						EP 270 / 9.5
10.0	12.8	8.2						EP 270 / 10.0
10.5	13.5	8.2	M 12		M 12 × 1.5		DN 10	EP 270 / 10.5
11.0	13.8	8.5						EP 270 / 11.0
11.5	14.5	8.5			M 12 × 1	R.1/4"		EP 270 / 11.5
12.0	14.9	8.4						EP 270 / 12.0
12.5	15.5	8.4	M 14					EP 270 / 12.5
13.0	16.5	9.5			M 14 × 1.5			EP 270 / 13.0
13.5	16.5	9.0						EP 270 / 13.5
14.0	17.0	9.2						EP 270 / 14.0
14.5	17.5	9.5	M 16					EP 270 / 14.5
15.0	17.8	9.5			M 16 × 1.5	R.3/8"		EP 270 / 15.0
15.5	18.8	9.5					DN 15	EP 270 / 15.5
16.0	19.5	10.0	M 18					EP 270 / 16.0

Material :
LLD-PE,
linear low density polyethylene

Standard Colour :
natural

These protection plugs suit a wide variety of internal and external applications and are available for most sizes of bores, tubes, pipes, flanges and valves.

Think Plastic. Go Protec.®

PROTEC
PLASTICS

Should your requirements not be shown please ask for a separate quotation.
PROTEC products and specifications are subject to improvement and change without notice.

Parallel Protection Plugs

Low-cost. Popular general-purpose plug
 Over 150 sizes to suit a wide range of applications
 Available for all sizes of bores, tubes, pipes, flanges and valves

TRIPLE ADVANTAGE of PROTEC CAPTOP®

QUALITY. These protection plugs suit a wide variety of internal and external applications and are available for most sizes of bores, tubes, pipes, flanges and valves.

AVAILABILITY. With over 400 million moulded components shipped from our Oststeinbek / Hamburg logistics center we provide the fastest on time delivery service to all markets and industries.

PHILOSOPHY. Innovative protective closures at the best price in the market.



CAPTOP®



Material :
 LLD-PE,
 linear low density polyethylene

Standard Colour :
 natural

Individual Productions :
 On request we develop and produce individually tailored solutions next to the standard items of this range: additional dimensions, different materials and new colours

We would be pleased to advise you.

Think Plastic. Go Protec.®

PROTEC
PLASTICS

Parallel Protection Plugs

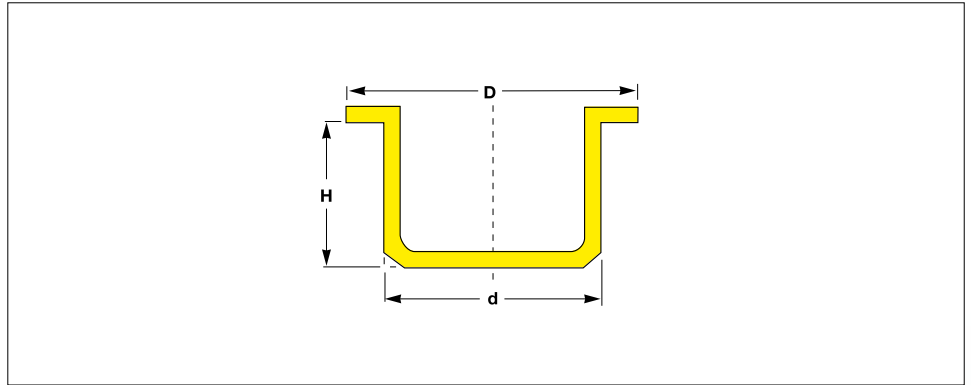
Low-cost. Popular general-purpose plug

Over 150 sizes to suit a wide range of applications

Available for all sizes of bores, tubes, pipes, flanges and valves

prompt

MADE-TO-ORDER
VOLUME



All dimensions in mm

Dimensions						BSP	DIN 2402 Flange Bore	Reference No.
d	D	H	Metric Thread Size					
16.5	19.5	10.2		M 18 × 2				EP 270 / 16.5
17.0	20.5	10.5				M 18 × 1.5		EP 270 / 17.0
17.5	20.7	10.5						EP 270 / 17.5
18.0	21.5	10.5	M 20					EP 270 / 18.0
18.5	22.5	10.0		M 20 × 2				EP 270 / 18.5
19.0	22.0	10.0				M 20 × 1.5	R.1/2 "	EP 270 / 19.0
19.5	23.0	10.5	M 22					EP 270 / 19.5
20.0	23.5	10.5						EP 270 / 20.0
20.5	24.5	10.5		M 22 × 2			DN 20	EP 270 / 20.5
21.0	24.5	11.0				M 22 × 1.5		EP 270 / 21.0
21.5	25.5	11.0	M 24				R.5/8 "	EP 270 / 21.5
22.0	25.5	11.0						EP 270 / 22.0
22.5	26.0	10.5		M 24 × 2				EP 270 / 22.5
23.0	27.0	11.0				M 24 × 1.5		EP 270 / 23.0
23.5	27.0	10.5						EP 270 / 23.5
24.0	28.0	11.0						EP 270 / 24.0
24.5	28.0	10.5	M 27				R.3/4 "	EP 270 / 24.5
25.0	29.9	11.6						EP 270 / 25.0
25.5	29.0	10.5		M 27 × 2		M 26 × 1.5	DN 25	EP 270 / 25.5
26.0	30.5	10.5				M 27 × 1.5		EP 270 / 26.0
26.5	30.0	10.5						EP 270 / 26.5
27.0	31.0	9.1	M 30			M 28 × 1.5		EP 270 / 27.0
27.5	31.0	10.0						EP 270 / 27.5
28.0	32.5	10.0						EP 270 / 28.0
28.5	32.0	10.0		M 30 × 2			R. 7/8 "	EP 270 / 28.5
29.0	32.0	9.5				M 30 × 1.5		EP 270 / 29.0
29.5	33.0	10.5						EP 270 / 29.5

Material :
LLD-PE,
linear low density polyethylene

Standard Colour :
natural

These protection plugs suit a wide variety of internal and external applications and are available for most sizes of bores, tubes, pipes, flanges and valves.

Think Plastic. Go Protec.®

PROTEC
PLASTICS

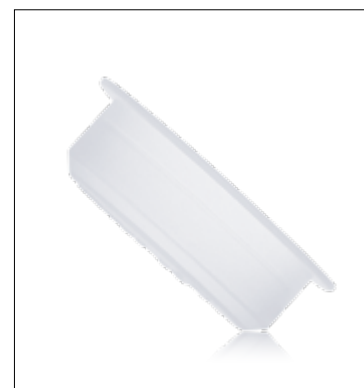
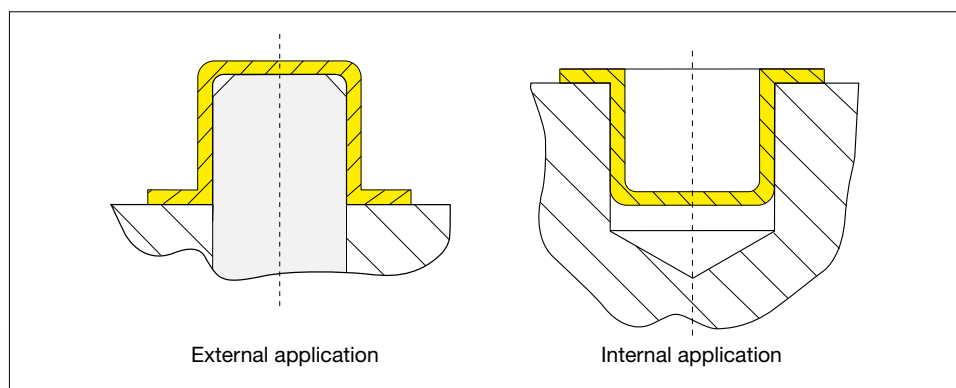
Should your requirements not be shown please ask for a separate quotation.
PROTEC products and specifications are subject to improvement and change without notice.

Parallel Protection Plugs

Low-cost. Popular general-purpose plug

Over 150 sizes to suit a wide range of applications

Available for all sizes of bores, tubes, pipes, flanges and valves



All dimensions in mm

Dimensions				BSP	DIN 2402 Flange Bore	Reference No.
d	D	H	Metric Thread Size			
30.0	32.8	9.5	M 33			EP 270 / 30.0
30.5	34.0	10.0		R. 1"		EP 270 / 30.5
31.0	36.0	10.5				EP 270 / 31.0
31.5	35.0	10.5			M 32 × 1.5	EP 270 / 31.5
32.0	37.0	10.4				EP 270 / 32.0
32.5	38.0	10.5	M 32			DN 32
33.0	38.0	10.5				EP 270 / 33.0
33.5	37.5	10.5			M 36 × 3	EP 270 / 33.5
34.0	38.5	10.5				EP 270 / 34.0
34.5	38.0	10.5				EP 270 / 34.5
35.0	40.0	10.5				EP 270 / 35.0
35.5	39.0	10.5	M 39		M 36 × 1.5	EP 270 / 35.5
36.0	41.0	10.6				EP 270 / 36.0
36.5	40.0	10.5				EP 270 / 36.5
37.0	42.0	10.4				EP 270 / 37.0
37.5	41.5	10.5			M 39 × 2	EP 270 / 37.5
38.0	43.0	10.5				EP 270 / 38.0
38.5	42.0	10.5	M 42		M 39 × 1.5	EP 270 / 38.5
39.0	44.0	10.5				EP 270 / 39.0
39.5	43.3	10.7			M 42 × 3	R 1.1/4"
40.0	43.8	10.5			M 42 × 2	EP 270 / 40.0
41.0	45.2	10.0	M 45		M 42 × 1.5	DN 40
42.0	47.0	10.0				EP 270 / 42.0
43.0	48.0	12.5			M 45 × 2	EP 270 / 43.0
44.0	49.0	10.5	M 48		M 45 × 1.5	EP 270 / 44.0
45.0	50.5	10.5				EP 270 / 45.0
46.0	50.5	10.4			M 48 × 2	R 1.1/2"

Should your requirements not be shown please ask for a separate quotation.

PROTEC products and specifications are subject to improvement and change without notice.

Material :
LLD-PE,
linear low density polyethylene

Standard Colour :
natural

Individual Productions :
On request we develop and produce
individually tailored solutions next
to the standard items of this range:
additional dimensions, different
materials and new colours

We would be pleased to advise you.

Think Plastic. Go Protec.®

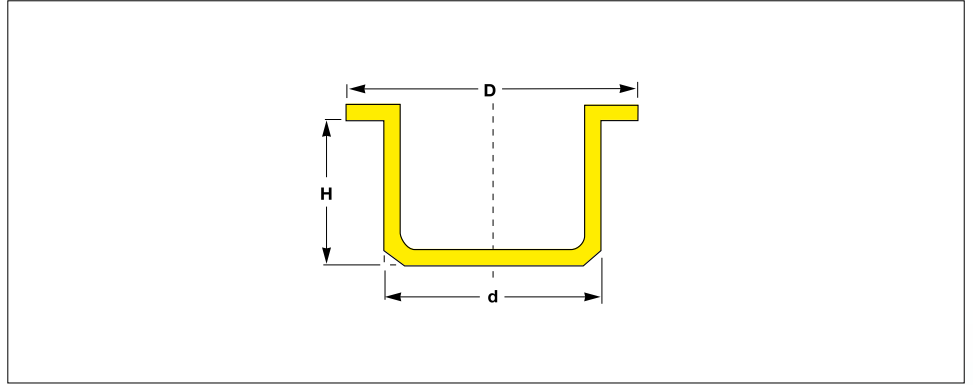
**PROTEC
PLASTICS**

Parallel Protection Plugs

Low-cost. Popular general-purpose plug

Over 150 sizes to suit a wide range of applications

Available for all sizes of bores, tubes, pipes, flanges and valves



All dimensions in mm

Dimensions						BSP	DIN 2402	Reference No.
d	D	H	Metric Thread Size					
47.0	51.5	10.5	M 52			M 48 × 1.5		EP 270 / 47.0
48.0	52.5	10.5		M 52 × 3				EP 270 / 48.0
49.0	54.0	10.6						EP 270 / 49.0
50.0	53.3	10.0			M 52 × 2			EP 270 / 50.0
51.0	54.8	10.6	M 56			M 52 × 1.5	DN 50	EP 270 / 51.0
52.0	57.2	10.7						EP 270 / 52.0
53.0	58.2	11.0						EP 270 / 53.0
54.0	61.0	11.0				M 55 × 1.5		EP 270 / 54.0
55.0	61.8	10.6				M 56 × 1.5		EP 270 / 55.0
56.0	62.5	11.5		M 60 × 4				EP 270 / 56.0
57.0	61.0	10.0			M 60 × 2	M 60 × 1.5	R 2."	EP 270 / 57.0
58.0	67.7	10.5						EP 270 / 58.0
59.0	65.5	11.0						EP 270 / 59.0
60.0	63.4	11.1						EP 270 / 60.0
61.0	67.5	11.0						EP 270 / 61.0
62.0	67.0	11.0						EP 270 / 62.0
63.0	66.0	9.5						EP 270 / 63.0
64.0	67.5	10.0						EP 270 / 64.0
65.0	69.0	10.4						EP 270 / 65.0
66.0	71.9	10.3					DN 65	EP 270 / 66.0
67.0	73.0	10.0						EP 270 / 67.0
68.0	75.0	10.7						EP 270 / 68.0
69.0	75.0	10.5						EP 270 / 69.0
70.0	74.0	11.0						EP 270 / 70.0
71.0	74.6	10.9						EP 270 / 71.0
71.5	75.0	16.0						EP 270 / 71.5
72.0	79.0	12.0						EP 270 / 72.0

Material :
LLD-PE,
linear low density polyethylene

Standard Colour :
natural

These protection plugs suit a wide variety of internal and external applications and are available for most sizes of bores, tubes, pipes, flanges and valves.

Think Plastic. Go Protec.®

PROTEC
PLASTICS

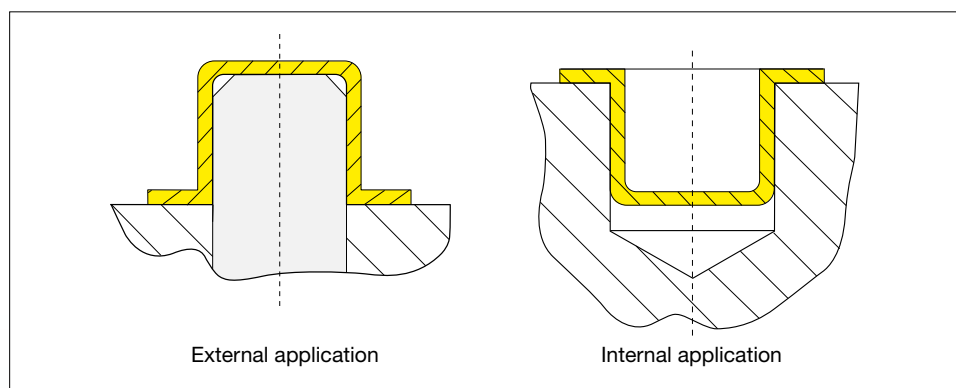
Should your requirements not be shown please ask for a separate quotation.
PROTEC products and specifications are subject to improvement and change without notice.

Parallel Protection Plugs

Low-cost. Popular general-purpose plug

Over 150 sizes to suit a wide range of applications

Available for all sizes of bores, tubes, pipes, flanges and valves



All dimensions in mm

Dimensions				BSP	DIN 2402	Reference No.
d	D	H	Metric Thread Size			
73.0	76.5	9.8		R 2.1/2"		EP 270 / 73.0
74.0	77.5	10.5				EP 270 / 74.0
75.0	79.0	9.5				EP 270 / 75.0
76.0	80.0	10.5				EP 270 / 76.0
77.0	80.0	9.6				EP 270 / 77.0
78.0	82.0	10.5				EP 270 / 78.0
79.0	82.2	9.6				EP 270 / 79.0
80.0	84.0	9.5				EP 270 / 80.0
81.0	85.0	9.5			DN 80	EP 270 / 81.0
82.0	85.5	9.5				EP 270 / 82.0
83.0	86.5	9.5				EP 270 / 83.0
84.0	90.1	10.4				EP 270 / 84.0
85.0	88.5	9.5				EP 270 / 85.0
86.0	89.2	9.5		R 3."		EP 270 / 86.0
87.0	90.5	9.5				EP 270 / 87.0
88.0	91.5	9.5				EP 270 / 88.0
89.0	92.5	9.5				EP 270 / 89.0
90.0	93.5	9.9				EP 270 / 90.0
92.0	95.5	9.5				EP 270 / 92.0
94.0	98.0	9.5				EP 270 / 94.0
96.0	99.5	9.6				EP 270 / 96.0
184.0	194.0	16.0				EP 270 / 184.0
208.0	220.0	15.0				EP 270 / 208.0
233.0	245.0	16.3				EP 270 / 233.0
261.0	273.0	16.0				EP 270 / 261.0
285.0	298.0	18.0				EP 270 / 285.0
311.0	324.0	18.0				EP 270 / 311.0

Should your requirements not be shown please ask for a separate quotation.

PROTEC products and specifications are subject to improvement and change without notice.

Material :
LLD-PE,
linear low density polyethylene

Standard Colour :
natural

Individual Productions :
On request we develop and produce individually tailored solutions next to the standard items of this range: additional dimensions, different materials and new colours

We would be pleased to advise you.

Think Plastic. Go Protec.®

PROTEC
PLASTICS