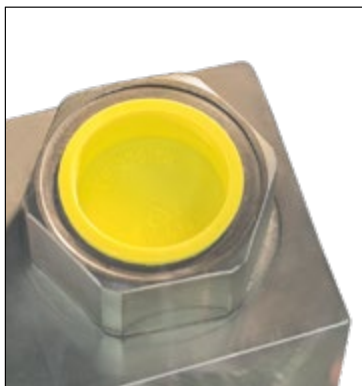
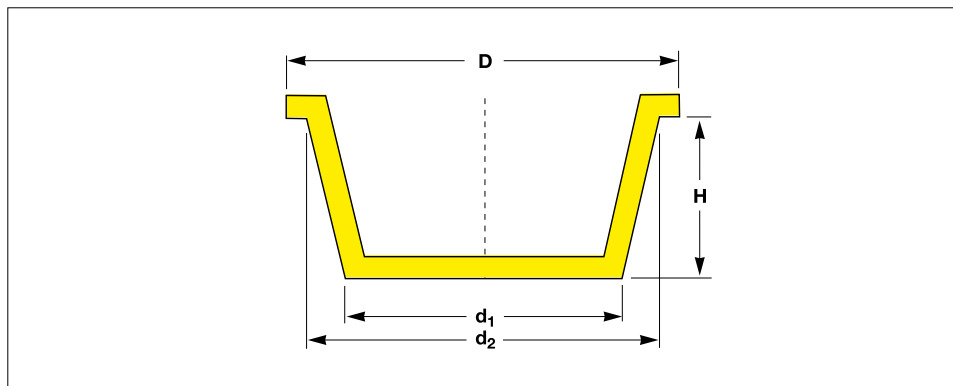


# Tapered Protection Plugs / Caps - Expanded

Low-cost. Can be used as either a cap or a plug  
Easy fitting and removal. New sizes up to 12 inch / 330 mm

EX STOCK  
400m  
Parts  
DELIVERY SERVICE



All dimensions in mm

Dimensions				Reference No.
d <sub>1</sub>	d <sub>2</sub>	D	H	
8.1	9.2	11.0	7.0	EP 270 / TK 81
9.8	11.0	12.0	7.0	EP 270 / TK 98
10.6	11.6	14.0	7.0	EP 270 / TK 106
11.4	12.4	15.0	7.0	EP 270 / TK 114
13.3	14.4	16.0	7.0	EP 270 / TK 133
14.0	15.1	17.0	7.0	EP 270 / TK 140
14.6	15.6	18.0	7.3	EP 270 / TK 146
15.3	16.4	18.0	7.0	EP 270 / TK 153
16.0	17.3	20.0	9.0	EP 270 / TK 160
17.4	18.8	21.0	9.0	EP 270 / TK 174
18.2	19.6	22.0	9.0	EP 270 / TK 182
18.7	20.0	23.8	8.7	EP 270 / TK 187
19.8	21.2	24.0	9.0	EP 270 / TK 198
20.3	22.6	25.0	14.0	EP 270 / TK 203
21.2	23.3	26.0	14.0	EP 270 / TK 212
23.0	25.0	28.0	14.0	EP 270 / TK 230
24.3	26.4	30.0	14.0	EP 270 / TK 243
25.7	27.8	30.0	14.0	EP 270 / TK 257
27.2	29.3	32.0	14.0	EP 270 / TK 272
30.0	32.0	35.0	14.0	EP 270 / TK 300
32.0	34.0	38.0	14.0	EP 270 / TK 320
33.6	36.0	40.0	14.0	EP 270 / TK 336
34.5	37.0	41.0	14.0	EP 270 / TK 345
36.0	37.8	42.0	14.0	EP 270 / TK 360
37.9	40.0	44.0	14.0	EP 270 / TK 379
38.5	41.0	43.0	14.0	EP 270 / TK 385
39.8	42.0	46.0	14.0	EP 270 / TK 398
41.3	43.5	47.0	14.0	EP 270 / TK 413
43.9	46.5	52.0	13.5	EP 270 / TK 439
45.5	47.5	54.0	14.0	EP 270 / TK 455
47.9	50.0	54.0	13.5	EP 270 / TK 479
49.8	51.8	58.0	14.0	EP 270 / TK 498

#### Material :

LLD-PE,  
linear low density polyethylene

#### Standard Colours :

yellow for flanges and steel pipes  
red for HDPE Gas Pipes

Tapered design allows the plug to  
cover multiple inside diameters

For Gas pipes, Plastics pipes, Steel  
pipes, Internal threads and bore  
holes.

Think Plastic. Go Protec.®

**PROTEC**  
**PLASTICS**

Should your requirements not be shown please ask for a separate quotation.  
PROTEC products and specifications are subject to improvement and change without notice.

# Tapered Protection Plugs / Caps - Expanded

Low-cost. Can be used as either a cap or a plug  
Easy fitting and removal. New sizes up to 12 inch / 330 mm

## TRIPLE ADVANTAGE of PROTEC CAPTOP®

**QUALITY.** For Gas pipes, Plastic pipes, Steel pipes, Internal threads and bores. (Also available with ventilation hole)

These tapered plugs are designed with ribs both internally and externally. This allows use as a cap or as a plug offering protection for threads and bores and are suitable for diameters from the very small to the very large.

**AVAILABILITY.** With over 400 million moulded components shipped from our Oststeinbek / Hamburg logistics center we provide the fastest on time delivery service to all markets and industries.

**PHILOSOPHY.** Innovative protective closures at the best price in the market.



CAPTOP®



**Material :**  
LLD-PE,  
linear low density polyethylene

**Standard Colours :**  
yellow for flanges and steel pipes  
red for HDPE Gas Pipes

**Individual Productions :**  
On request we develop and produce individually tailored solutions next to the standard items of this range: additional dimensions, different materials and new colours

We would be pleased to advise you.

Think Plastic. Go Protec.®

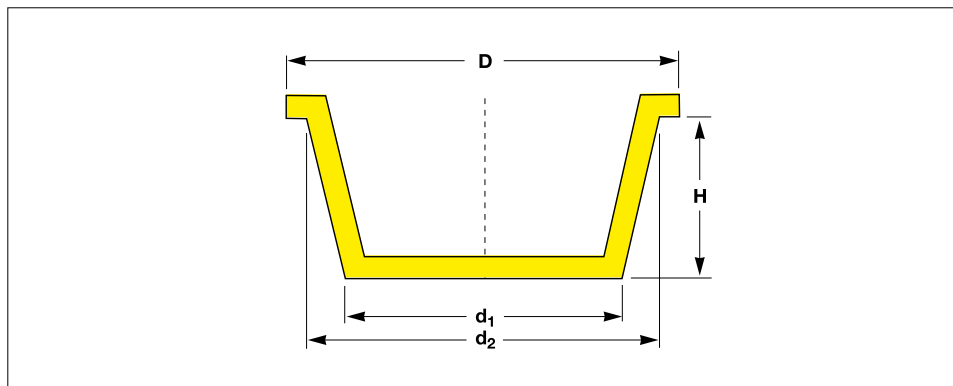
**PROTEC  
PLASTICS**

# Tapered Protection Plugs / Caps - Expanded

Low-cost. Can be used as either a cap or a plug  
Easy fitting and removal. New sizes up to 12 inch / 330 mm

prompt

MADE-TO-ORDER  
VOLUME



All dimensions in mm

Dimensions				Artikel-Nr.
d <sub>1</sub>	d <sub>2</sub>	D	H	
50.5	53.3	62.7	14.1	EP 270 / TK 505
52.5	53.3	58.0	13.9	EP 270 / TK 525
54.5	56.2	63.0	14.0	EP 270 / TK 545
55.5	56.3	61.0	13.0	EP 270 / TK 555
57.0	58.6	62.9	13.5	EP 270 / TK 570
58.5	60.8	64.0	12.7	EP 270 / TK 585
60.5	62.3	66.0	13.5	EP 270 / TK 605
61.3	63.5	67.0	14.0	EP 270 / TK 613
62.5	64.8	68.0	13.5	EP 270 / TK 625
60.7	66.3	75.0	30.0	EP 270 / TK <b>650-S</b>
66.0	67.9	75.0	13.0	EP 270 / TK 660
67.9	69.5	74.0	13.0	EP 270 / TK 679
69.8	72.6	80.3	17.7	EP 270 / TK 698
71.5	73.4	77.8	16.3	EP 270 / TK 715
72.8	74.0	79.0	18.0	EP 270 / TK 728
74.0	76.6	85.0	17.8	EP 270 / TK 740
76.5	79.0	87.2	18.7	EP 270 / TK 765
77.5	80.0	88.0	17.0	EP 270 / TK 775
79.0	82.0	90.0	29.0	EP 270 / TK <b>790-S</b>
81.5	83.6	92.0	17.0	EP 270 / TK 815
84.0	87.1	95.0	17.7	EP 270 / TK 840
86.5	89.0	97.0	17.0	EP 270 / TK 865
89.0	91.5	100.0	17.0	EP 270 / TK 890
91.5	93.9	101.2	18.5	EP 270 / TK 915
94.0	97.1	105.0	17.7	EP 270 / TK 940
96.5	99.0	107.0	17.0	EP 270 / TK 965
96.7	102.5	110.0	30.0	EP 270 / TK <b>990-S</b>
101.5	104.0	112.0	17.0	EP 270 / TK 1015
104.0	106.5	115.0	17.0	EP 270 / TK 1040
106.0	111.0	120.0	23.0	EP 270 / TK <b>1060-S</b>
110.0	114.5	123.0	27.4	EP 270 / TK <b>1100-S</b>
114.0	116.5	125.0	19.0	EP 270 / TK 1140
119.0	123.0	130.0	23.0	EP 270 / TK 1190

#### Material :

LLD-PE,  
linear low density polyethylene

#### Standard Colours :

yellow for flanges and steel pipes  
red for HDPE Gas Pipes

Tapered design allows the plug to  
cover multiple inside diameters

For Gas pipes, Plastics pipes, Steel  
pipes, Internal threads and bore  
holes.

Think Plastic. Go Protec.®

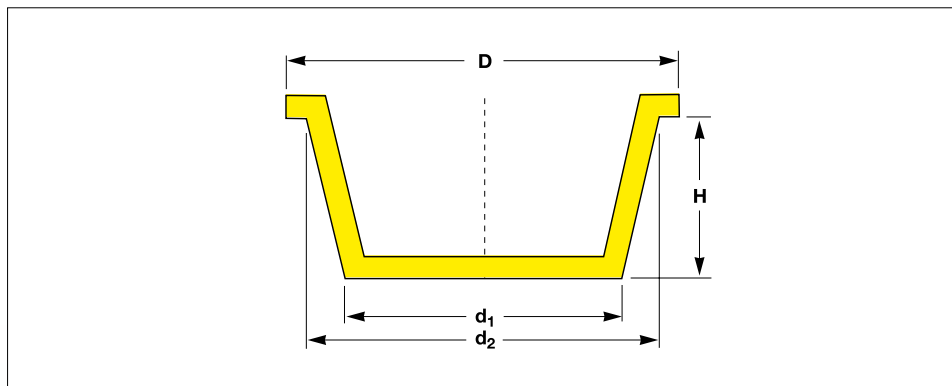
**PROTEC**  
**PLASTICS**

Should your requirements not be shown please ask for a separate quotation.  
PROTEC products and specifications are subject to improvement and change without notice.

# Tapered Protection Plugs / Caps - Expanded

Low-cost. Can be used as either a cap or a plug

Easy fitting and removal. New sizes up to 12 inch / 330 mm



CAPTOP®

All dimensions in mm

Dimensions				Reference No.
d <sub>1</sub>	d <sub>2</sub>	D	H	
124.0	127.0	135.0	30.0	EP 270 / TK 1240-S
127.5	133.0	140.0	23.0	EP 270 / TK 1275-S
133.0	137.0	145.0	18.7	EP 270 / TK 1330
139.0	143.0	152.0	27.8	EP 270 / TK 1390-S
143.5	148.0	159.5	33.4	EP 270 / TK 1435-S
149.0	153.0	160.8	30.1	EP 270 / TK 1468/1490
153.5	157.5	167.0	38.0	EP 270 / TK 1535-S
159.0	161.5	170.0	38.0	EP 270 / TK 1590-S
160.0	163.0	172.0	38.0	EP 270 / TK 1600-S
164.0	166.0	174.0	21.5	EP 270 / TK 1640
168.0	175.0	190.0	38.0	EP 270 / TK 1680-S
169.0	172.0	179.0	21.6	EP 270 / TK 1690
173.0	181.3	195.0	38.5	EP 270 / TK 1730-S
179.0	185.0	195.0	38.0	EP 270 / TK 1790-S
187.5	191.5	197.5	21.7	EP 270 / TK 1875
192.0	200.0	215.0	38.0	EP 270 / TK 1920-S
199.0	204.0	214.0	38.0	EP 270 / TK 1990-S
203.5	208.5	216.0	26.0	EP 270 / TK 2035
209.0	213.0	223.0	26.5	EP 270 / TK 2090
218.0	226.0	237.0	46.4	EP 270 / TK 2180-S
221.5	230.0	237.0	23.7	EP 270 / TK 2215
223.0	230.5	240.0	38.0	EP 270 / TK 2230-S
232.0	239.0	250.0	46.0	EP 270 / TK 2320-S
239.0	250.0	263.0	46.0	EP 270 / TK 2390-S
249.0	254.0	264.0	46.0	EP 270 / TK 2490-S
255.0	261.0	280.0	46.0	EP 270 / TK 2550-S
270.5	281.0	296.0	46.0	EP 270 / TK 2750-S
278.0	286.0	304.0	46.0	EP 270 / TK 2780-S
284.0	293.0	315.0	46.0	EP 270 / TK 2840-S
292.0	299.0	315.0	46.0	EP 270 / TK 2920-S
298.0	301.0	314.0	23.0	EP 270 / TK 2990
305.0	316.0	330.0	46.0	EP 270 / TK 3050-S
313.0	325.0	340.0	50.5	EP 270 / TK 3130-S

**Material :**  
LLD-PE,  
linear low density polyethylene

**Standard Colours :**  
yellow for flanges and steel pipes  
red for HDPE Gas Pipes

**Individual Productions :**  
On request we develop and produce individually tailored solutions next to the standard items of this range: additional dimensions, different materials and new colours

We would be pleased to advise you.

Think Plastic. Go Protec.®

**PROTEC**  
**PLASTICS**

Should your requirements not be shown please ask for a separate quotation.  
PROTEC products and specifications are subject to improvement and change without notice.